

# LT8311XE-Q ---Product Brief

## USB2.0 Extender

### 1. Features

- USB2.0 signal extension up to 10m over USB cable for one chip application
- USB2.0 signal extension up to 40m over Cat6 cable for two chip application
- Support USB2.0 high speed, full speed and low speed signal transferring
- I2c mode equalization control for different length cable
- Single 3.3V power supply

### 2. General Description

LT8311XE-Q is a low cost high performance USB

extender that provides signal transferring extension over USB cable or ethernet cable. Compliant with USB2.0 specification, LT8311XE-Q supports USB2.0, USB1.1 and USB1.0 device connection. The maximum extension length can be up to 40m from the location of USB hub/host. It eliminates the 5m distance limitation of USB2.0 Specification.

### 3. Applications

- PC Motherboard
- Servers and workstation
- KVM system
- Data storage system
- Car system

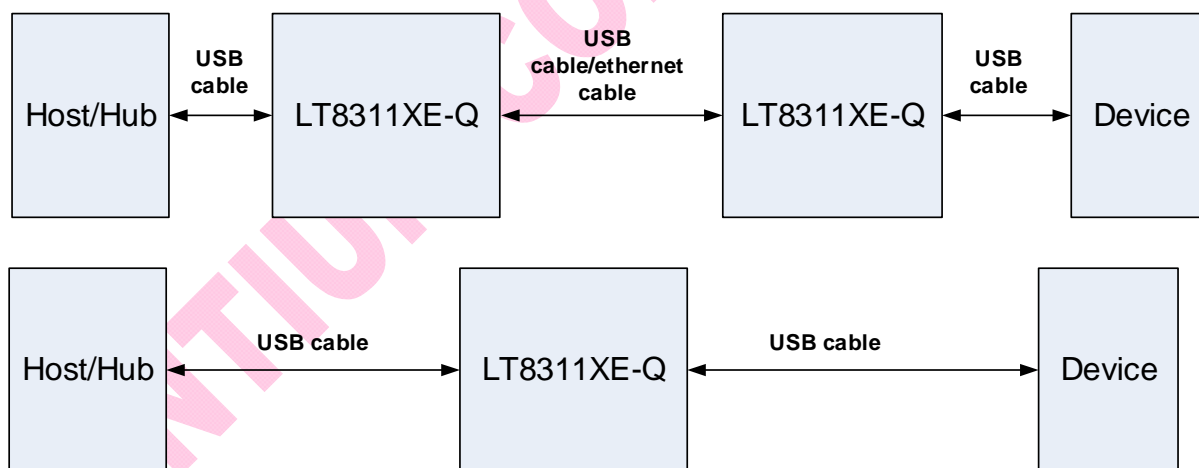


Figure 3.1 Application Diagram

### 4. Ordering Information

Table 4.1 Ordering Information

Part Number	Operating Temperature Range	Package	Packing Method	MPQ
LT8311XE-Q	-40°C to +85°C	QFN16 (4*4)	Tray	4900pcs

**Copyright © 2017-2021 Lontium Semiconductor Corporation, All rights reserved.**

### **Lontium Semiconductor Proprietary & Confidential**

This document and the information it contains belong to Lontium Semiconductor. Any review, use, dissemination, distribution or copying of this document or its information outside the scope of a signed agreement with Lontium is strictly prohibited.

LONTIUM DISCLAIMS ALL WARRANTIES, EXPRESSED OR IMPLIED, INCLUDING THOSE OF NONINFRINGEMENT, MERCHANTABILITY, TITLE AND FITNESS FOR A PARTICULAR PURPOSE. CUSTOMERS EXPRESSLY ASSUME THEIR OWN RISK IN RELYING ON THIS DOCUMENT.

LONTIUM PRODUCTS ARE NOT DESIGNED OR INTENDED FOR USE IN LIFE SUPPORT APPLIANCES, DEVICES OR SYSTEMS WHERE A MALFUNCTION OF A LONTIUM DEVICE COULD RESULT IN A PERSONAL INJURY OR LOSS OF LIFE.

Lontium assumes no responsibility for any errors in this document, and makes no commitment to update the information contained herein. Lontium reserves the right to change or discontinue this document and the products it describes at any time, without notice. Other than as set forth in a separate, signed, written agreement, Lontium grants the user of this document no right, title or interest in the document, the information it contains or the intellectual property in embodies.

### **Trademarks**

Lontium™ 龙迅™ and ClearEdge™ is a registered trademark of Lontium Semiconductor. All other brand names, product names, trademarks, and registered trademarks contained herein are the property of their respective owners.

**Visit our corporate web page at: [www.lontiumsemi.com](http://www.lontiumsemi.com)**

**Technical support: [support@lontium.com](mailto:support@lontium.com)**

**Sales: [sales@lontium.com](mailto:sales@lontium.com)**