

LT86101UXS_U2Q10CED --- Product Brief

HD-DVI2.0 TMD5 Re-timer/Level Shifter

1. Features

- Supports 480P,720P,1080P,4K@30Hz as specified in HD-DVI 1.4
- Supports 4K@60Hz as specified in HD-DVI2.0
- Programmable input equalization up to 25dB
- Programmable output swing and de-emphasis
- DC/AC couple input capable
- Input signal jitter clean
- Integrate DDC interception
- Supports HD-DVI ID by DDC
- Automatic power management
- 1.2V and 3.3V power supply
- Integrated 100/400kHz I2C slave
- Integrated MCU
- Low power consumption

2. General Description

LT86101UXS_U2Q10CED is HD-DVI2.0 TMD5 Re-timer/Level Shifter. It supports up to 6Gbps TMD5 signal with programmable equalization and pre-emphasis for better jitter performance. Both DC/AC couple input signals are capable. LT86101UXS_U2Q10CED will automatically manager power consumption when source or sink is asserted or deserted. System control is also available through the use of a dedicated configuration I2C slave interface.

3. Applications

- PC Motherboards
- Docking Station
- Dongle

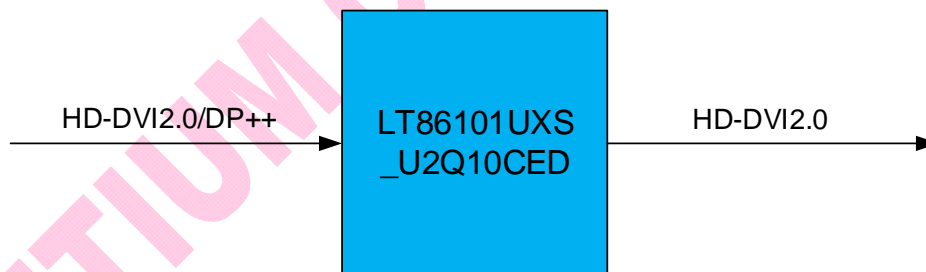


Figure 3.1 Application Diagram

4. Ordering Information

Table 4.1 Ordering Information

Part Number	Product Status	Package	Bonding Wire	Grade	Operating Temperature Range	Stack Die Option	Packing Method	MPQ
LT86101UXS_U2Q10CED	Preview	QFN48(6*6)Saw	Cu	E	TBD	D	Tray	TBD

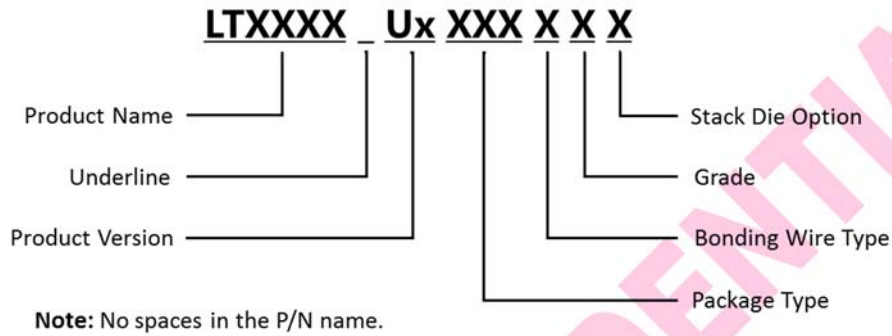


Figure 4.1 Part Number Naming Rules

Copyright © 2022-2024 Lontium Semiconductor Corporation, All rights reserved.

Lontium Semiconductor Proprietary & Confidential

This document and the information it contains belong to Lontium Semiconductor. Any review, use, dissemination, distribution or copying of this document or its information outside the scope of a signed agreement with Lontium is strictly prohibited.

LONTIUM DISCLAIMS ALL WARRANTIES, EXPRESSED OR IMPLIED, INCLUDING THOSE OF NONINFRINGEMENT, MERCHANTABILITY, TITLE AND FITNESS FOR A PARTICULAR PURPOSE. CUSTOMERS EXPRESSLY ASSUME THEIR OWN RISK IN RELYING ON THIS DOCUMENT.

LONTIUM PRODUCTS ARE NOT DESIGNED OR INTENDED FOR USE IN LIFE SUPPORT APPLIANCES, DEVICES OR SYSTEMS WHERE A MALFUNCTION OF A LONTIUM DEVICE COULD RESULT IN A PERSONAL INJURY OR LOSS OF LIFE.

Lontium assumes no responsibility for any errors in this document, and makes no commitment to update the information contained herein. Lontium reserves the right to change or discontinue this document and the products it describes at any time, without notice. Other than as set forth in a separate, signed, written agreement, Lontium grants the user of this document no right, title or interest in the document, the information it contains or the intellectual property in embodies.

Trademarks

Lontium™ 龙迅™ and ClearEdge™ is a registered trademark of Lontium Semiconductor. All other brand names, product names, trademarks, and registered trademarks contained herein are the property of their respective owners.

Visit our corporate web page at: www.lontiumsemi.com

Technical support: support@lontium.com

Sales: sales@lontium.com