

LT8522EX --- Product Brief

Matrix Switch

1. Features

- Direct interface to DVI 1.0 and HD-DVI V1.4 transmitter
- Support Dual-Mode DP on the same pins with HD-DVI
- Support resolution up to 4kx2k
- Multiple pixel formats: RGB 6/8/10/12 bit per component (bpc); YCbCr 422/444 8/10/12 bpc
- Compliance with DVI up to 1.65Gbps and HD-DVI V1.4 up to 3.4Gbps
- HDCP decryption and encryption
- On-chip VGA HD-DVI EDID shadows
- High input sensitivity, with differential input level down to 150mV
- Receiver side equalization up to 12dB
- Auto Loss of Signal detection
- High jitter tolerance up to 0.7UI
- External IIC slave configuration interface
- Master I2C interface for DDC connection simplifies board layout and lowers cost
- Embedded audio PCM and SPDIF TX and RX.
- Extensive power management for power savings
- Supports analogue video output up to UXGA and 1080p on chip DAC

2. General Description

The LT8522EX is Lontium's matrix switch chip that supports both two inputs (VGA and HD-DVI) and two outputs (VGA and HD-DVI) based on ClearEdge™ Technology.

The HD-DVI input interface is compliant with the HD-DVI 1.4 specification. It can also support Dual-Mode DP with HD-DVI interface. For backward compatibility, this matrix switch also includes two high performance analog interfaces (VGA input and VGA output). It has two high quality digital audio interfaces (audio input and audio output) that support 8-channel audio.

The LT8522EX is offered in a 100-pin TQFP package, with operating temperature range of -40°C to +85°C.

3. Applications

- Matrix Switch Box
- VGA to HD-DVI converter
- HD-DVI to VGA converter
- Etc.

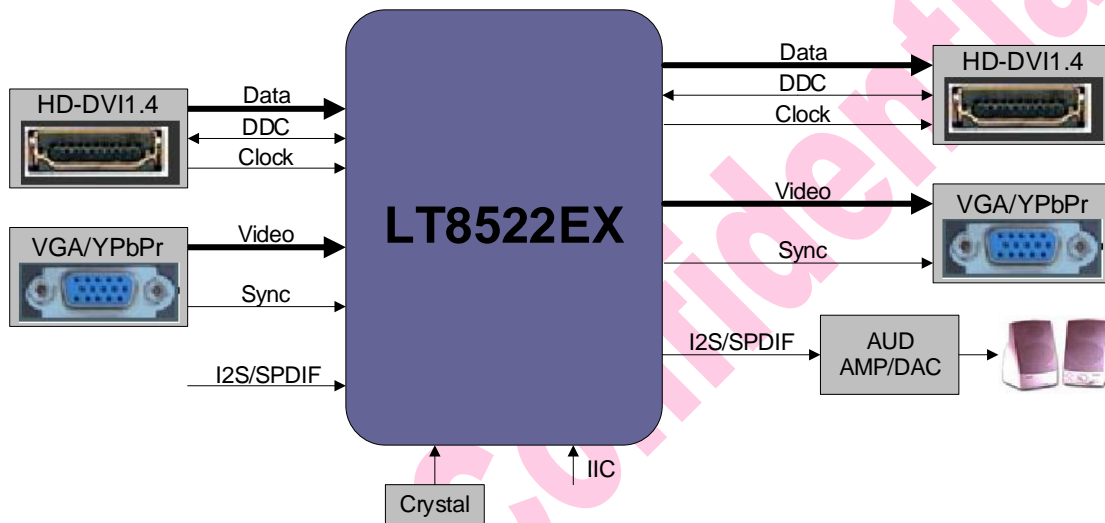


Figure 3.1 Application Diagram

4. Ordering Information

Table 4.1 Ordering Information

Part Number	Operating Temperature Range	Package	Packing Method
LT8522EX	-40° C to +85° C	TQFP100 (14*14)	Tray

Copyright © 2014-2024 Lontium Semiconductor Corporation, All rights reserved.

Lontium Semiconductor Proprietary & Confidential

This document and the information it contains belong to Lontium Semiconductor. Any review, use, dissemination, distribution or copying of this document or its information outside the scope of a signed agreement with Lontium is strictly prohibited.

LONTIUM DISCLAIMS ALL WARRANTIES, EXPRESSED OR IMPLIED, INCLUDING THOSE OF NONINFRINGEMENT, MERCHANTABILITY, TITLE AND FITNESS FOR A PARTICULAR PURPOSE. CUSTOMERS EXPRESSLY ASSUME THEIR OWN RISK IN RELYING ON THIS DOCUMENT.

LONTIUM PRODUCTS ARE NOT DESIGNED OR INTENDED FOR USE IN LIFE SUPPORT APPLIANCES, DEVICES OR SYSTEMS WHERE A MALFUNCTION OF A LONTIUM DEVICE COULD RESULT IN A PERSONAL INJURY OR LOSS OF LIFE.

Lontium assumes no responsibility for any errors in this document, and makes no commitment to update the information contained herein. Lontium reserves the right to change or discontinue this document and the products it describes at any time, without notice. Other than as set forth in a separate, signed, written agreement, Lontium grants the user of this document no right, title or interest in the document, the information it contains or the intellectual property in embodies.

Trademarks

Lontium™ 龙迅™ and ClearEdge™ is a registered trademark of Lontium Semiconductor. All other brand names, product names, trademarks, and registered trademarks contained herein are the property of their respective owners.

Visit our corporate web page at: www.lontiumsemi.com

Technical support: support@lontium.com

Sales: sales@lontium.com