

LT1258EX --- Product Brief

12.5Gbps 8-Channel Retimer

1. Features

- Support 9.8Gbps to 12.5Gbps data rate and 1/2, 1/4, 1/8 sub-rate
- Input signal detect and output sink detect support
- 2x2 cross-point switch
- Up to 4 forward and 4 backward lanes support
- Data lane polarity swappable
- Integrated CDR for Jitter clean
- On chip EOM(EYE-Open Monitor)
- Support PRBS 7/9/15/31 generator and checker
- Up to 25dB equalization at 6.25GHz
- Programmable De-emphasis up to 8dB
- Up to 1.2V output Swing
- Selectable 2.5-V or 3.3-V supply voltage
- Support up to 400KHz I2C/SMBus slave

2. General Description

The Lontium LT1258EX is a quad 2:2 cross-point switch or splitter with signal conditioning suitable for high-speed bus applications with data rates up to 12.5 Gbps. The continuous time linear equalizer (CTLE) of the receiver provides adjustable boost to compensate up to 25dB

insertion-loss at 6.25 GHz. The integrated CDR reset the jitter budget and retimes the high-speed serial data. The transmitter features a programmable amplitude voltage levels to be selectable up to 1200 mVpp and de-emphasis up to 8dB.

The LT1258EX integrated EYE-Open Monitor to detect the signal performance after equalization. The EOM function support 9.8~12.5Gbps only.

In order to save power consumption, the LT1258EX can work well at 1.8V and 2.5V power supply in external LDO mode.

The LT1258EX can be configured to support PCIe, CAUI-10, and 10G-KR, CPRI or other signaling protocols.

The LT1258EX is fabricated in advanced CMOS process and implemented in 10mm x 5.5mm QFN54 package.

3. Applications

- 10G-KR
- CAUI-10
- CPRI
- PCIe
- SGMII

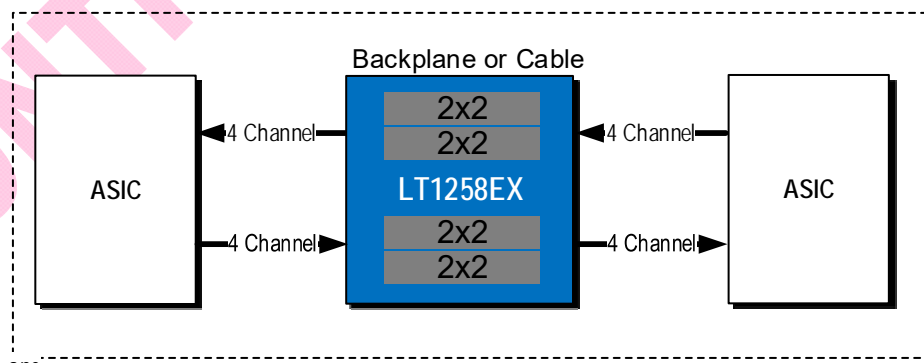


Figure 3.1 LT1258EX Typical Application Diagram

4. Ordering Information

Table 4.1 Ordering Information

Part Number	Product Version	Product Status	Operating Temperature Range	Package	Packing Method	MPQ
LT1258EX	U1	NRND	-40°C to +85°C	QFN54 (10*5.5)	Tray	1560pcs
LT1258EX_U2	U2	MP	-40°C to +85°C	QFN54 (10*5.5)	Tray	1560pcs

NRND: Not Recommended for New Designs.
 MP: Mass Production.

Table 4.2 Product Version Information

Product Version	Information	Note
U1	Initial Version.	
U2	<ol style="list-style-type: none"> 1. Optimized the performance differences between channels slightly; 2. Reduced CDR open-loop temperature effect; 3. Increased CDR frequency tracking range in 1.8V power mode; 4. Support PRBS 7/9/15/31 check function. 	

Copyright © 2020-2021 Lontium Semiconductor Corporation, All rights reserved.

Lontium Semiconductor Proprietary & Confidential

This document and the information it contains belong to Lontium Semiconductor. Any review, use, dissemination, distribution or copying of this document or its information outside the scope of a signed agreement with Lontium is strictly prohibited.

LONTIUM DISCLAIMS ALL WARRANTIES, EXPRESSED OR IMPLIED, INCLUDING THOSE OF NONINFRINGEMENT, MERCHANTABILITY, TITLE AND FITNESS FOR A PARTICULAR PURPOSE. CUSTOMERS EXPRESSLY ASSUME THEIR OWN RISK IN RELYING ON THIS DOCUMENT.

LONTIUM PRODUCTS ARE NOT DESIGNED OR INTENDED FOR USE IN LIFE SUPPORT APPLIANCES, DEVICES OR SYSTEMS WHERE A MALFUNCTION OF A LONTIUM DEVICE COULD RESULT IN A PERSONAL INJURY OR LOSS OF LIFE.

Lontium assumes no responsibility for any errors in this document, and makes no commitment to update the information contained herein. Lontium reserves the right to change or discontinue this document and the products it describes at any time, without notice. Other than as set forth in a separate, signed, written agreement, Lontium grants the user of this document no right, title or interest in the document, the information it contains or the intellectual property in embodies.

Trademarks

Lontium™ 龙迅™ and ClearEdge™ is a registered trademark of Lontium Semiconductor. All other brand names, product names, trademarks, and registered trademarks contained herein are the property of their respective owners.

Visit our corporate web page at: www.lontiumsemi.com

Technical support: support@lontium.com

Sales: sales@lontium.com