

LT8641SX --- Product Brief

4:1 HDMI/DVI Switch with Digital Audio Output

1. Features

- Compliant with HDMI1.4 and HDCP1.4
- HDMI input resolution support up to 1080p@60Hz
- HDMI output resolution support up to 1080p@60Hz
- Support 8 channel I2S audio outputs or both 6-channel I2S and SPDIF
- Supports 3D format
- Supports CEC
- Supports one channel ARC function on HDMI link

2. General Description

The LT8641SX is a Transition Minimized Differential Signaling (TMDS) switch that enables the connection of multiple High-Definition Multimedia Interface (HDMI) source devices to high-definition television (HDTV). Based on the HDMI 1.4 specification, LT8641SX is an advanced TMDS switch that delivers a cost-effective method for manufacturers to add additional HDMI ports to their HDTV. Multiple HDMI ports allow consumers to connect variety HDMI-enabled sources to their HDTV. It supports HDCP 1.4 specifications, and Audio Return Channel function.

The LT8641SX is a four-to-one (4:1) switch ideally suited for use in the back panel of HDTV and A/V receivers, allowing consumers to connect multiple HDMI-enabled devices such as high-definition DVD players, set top boxes and game consoles. The LT8641SX switch selects a single HDMI or Digital Visual Interface (DVI) signal from the four receiver ports and generates HDMI/DVI audio/video output, as well as

DDC/HPD switching, in full compliance with the HDMI and DVI specifications. The LT8641SX also acts as a HDMI receiver. It extracts the digital audio information from the HDMI packet, and recovers digital audio to I2S/SPDIF interface. So it can be applied to the multi-channel audio amplifier for best audio effect. This feature can enable an external HDMI switching box acts as a home entertainment box that can output up to 8-channel high quality audio signal for the best audio effect.

To improve the performance in the case of long distance transmission, pre-emphasized driver is integrated into the chip. This pre-distortion technique compensates the transmission loss. The chip provides a Clock Data Recovery (CDR) path to enhance the performance. This path uses Re-Sample and Re-Drive architecture which re-samples data at the receiver side and re-drive data at the transmitter side. It will not pass through noise from inputs to output and hence provides reliable transmission.

The chip also employs an advanced on-die-termination calibrating circuitry. The input termination is able to be automatically adjusted. The integrated HPD switch as well as DDC switch lower the cost of system manufacture, and simplify the routing on the system board.

3. Applications

- Embedded TV Switch
- External HDMI Switch
- Digital Audio Amplifier
- Etc.

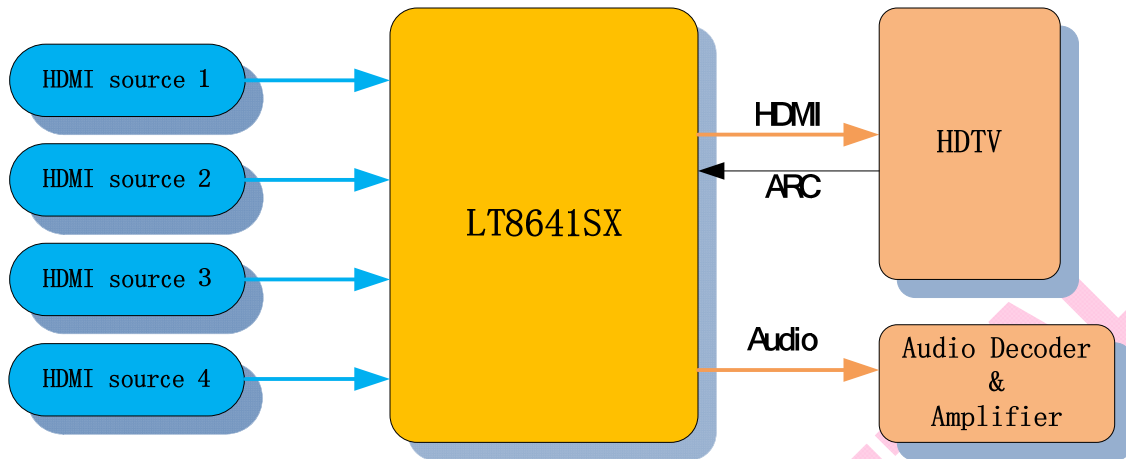


Figure 3.1 Application Diagram

4. Ordering Information

Table 4.1 Ordering Information

Part Number	Operating Temperature Range	Package	Packing Method	MPQ
LT8641SX	-40°C to +85°C	TQFP100 (14*14)	Tray	900pcs

Copyright © 2013-2021 Lontium Semiconductor Corporation, All rights reserved.

Lontium Semiconductor Proprietary & Confidential

This document and the information it contains belong to Lontium Semiconductor. Any review, use, dissemination, distribution or copying of this document or its information outside the scope of a signed agreement with Lontium is strictly prohibited.

LONTIUM DISCLAIMS ALL WARRANTIES, EXPRESSED OR IMPLIED, INCLUDING THOSE OF NONINFRINGEMENT, MERCHANTABILITY, TITLE AND FITNESS FOR A PARTICULAR PURPOSE. CUSTOMERS EXPRESSLY ASSUME THEIR OWN RISK IN RELYING ON THIS DOCUMENT.

LONTIUM PRODUCTS ARE NOT DESIGNED OR INTENDED FOR USE IN LIFE SUPPORT APPLIANCES, DEVICES OR SYSTEMS WHERE A MALFUNCTION OF A LONTIUM DEVICE COULD RESULT IN A PERSONAL INJURY OR LOSS OF LIFE.

Lontium assumes no responsibility for any errors in this document, and makes no commitment to update the information contained herein. Lontium reserves the right to change or discontinue this document and the products it describes at any time, without notice. Other than as set forth in a separate, signed, written agreement, Lontium grants the user of this document no right, title or interest in the document, the information it contains or the intellectual property in embodies.

Trademarks

Lontium™ 龙迅™ and ClearEdge™ is a registered trademark of Lontium Semiconductor. All other brand names, product names, trademarks, and registered trademarks contained herein are the property of their respective owners.

Visit our corporate web page at: www.lontiumsemi.com

Technical support: support@lontium.com

Sales: sales@lontium.com