

LT934 --- Product Brief

Automotive Camera Deserializer

Features

- **Deserializer Link**
 - Support up to 4 independent bidirectional link with maximum 4.32Gbps forward data channel and 3.7Mbps back control channel
 - Support cameras controlled with back control channel by ECU
 - Aggregates video data from up to 4 cameras over forward data channel and video synchronization
 - POC/POE
 - Compatible with LT933(serializer)
- **MIPI CSI Transmitter**
 - Compliant with D-PHY1.2 & CSI-2 1.3
 - Two port with 1 clock lane and 4 data lanes for each port at maximum 2 Gbps per each lane
 - Video stream copy mode for each single/dual-port
 - Support up to 4 virtual channels
 - Video Formats: RAW8, RAW10, RAW12, RAW16 and others compliant with D-PHY1.2 & CSI-2 1.3 in the range of bandwidth.
- **Miscellaneous**
 - External oscillator
 - Internal pattern generate

- GPIOs for system controls
- Frame synchronization operation with up to 4 cameras
- Temperature and Voltage sensing
- Integrated 1 MHz I2C slave controlled by ECU
- Build-in Self Test mode
- Power Supply: 3.3V, 1.8V, 1.2V
- AEC-Q100 Grade 2

Description

The LT934 deserializer is part of Lontium's long distance video transmission family for Advanced Driver Assistance Systems(ADAS) with 4 independent LT933 serializer, support up to receive 1080P@60Hz video with each link. In framesync mode , 4 independent video can be stitched to one frame video., which is transmitted to ECU with MIPI one or two port. The chip is able to be a bridge for communication between ECU and upstream.

Applications

- Advanced Driver Assistance Systems(ADAS)
 - Surround View System
 - Front and Rear Image Sensor
- MIPI-CSI Extender

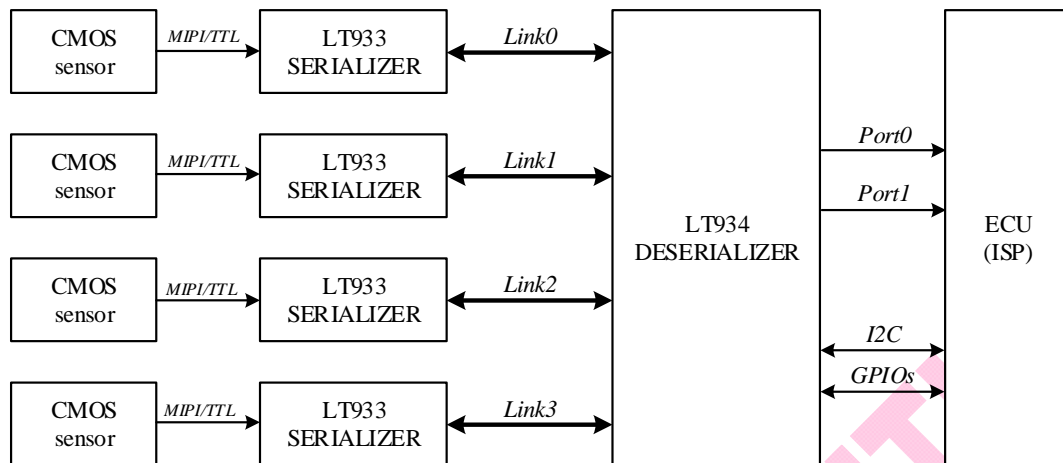


Figure 1. Application Diagram

Ordering Information

Table 1. Ordering Information

Part Number	Operating Temperature Range	Package	Packing Method
LT934	-40°C to +105°C	QFN64 (7.5 x 7.5)	Tray

Copyright © 2020 Lontium Semiconductor Corporation, All rights reserved.

Lontium Semiconductor Proprietary & Confidential

This document and the information it contains belong to Lontium Semiconductor. Any review, use, dissemination, distribution or copying of this document or its information outside the scope of a signed agreement with Lontium is strictly prohibited.

LONTIUM DISCLAIMS ALL WARRANTIES, EXPRESSED OR IMPLIED, INCLUDING THOSE OF NONINFRINGEMENT, MERCHANTABILITY, TITLE AND FITNESS FOR A PARTICULAR PURPOSE. CUSTOMERS EXPRESSLY ASSUME THEIR OWN RISK IN RELYING ON THIS DOCUMENT.

LONTIUM PRODUCTS ARE NOT DESIGNED OR INTENDED FOR USE IN LIFE SUPPORT APPLIANCES, DEVICES OR SYSTEMS WHERE A MALFUNCTION OF A LONTIUM DEVICE COULD RESULT IN A PERSONAL INJURY OR LOSS OF LIFE.

Lontium assumes no responsibility for any errors in this document, and makes no commitment to update the information contained herein. Lontium reserves the right to change or discontinue this document and the products it describes at any time, without notice. Other than as set forth in a separate, signed, written agreement, Lontium grants the user of this document no right, title or interest in the document, the information it contains or the intellectual property it embodies.

Trademarks

Lontium™ 龙迅™ and ClearEdge™ is a registered trademark of Lontium Semiconductor. All other brand names, product names, trademarks, and registered trademarks contained herein are the property of their respective owners.

Visit our corporate web page at: www.lontiumsemi.com

Technical support: support@lontium.com

Sales: sales@lontium.com